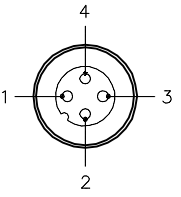
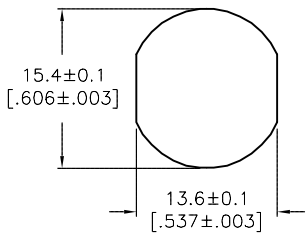
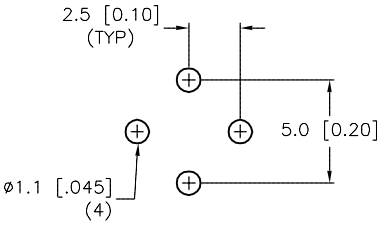
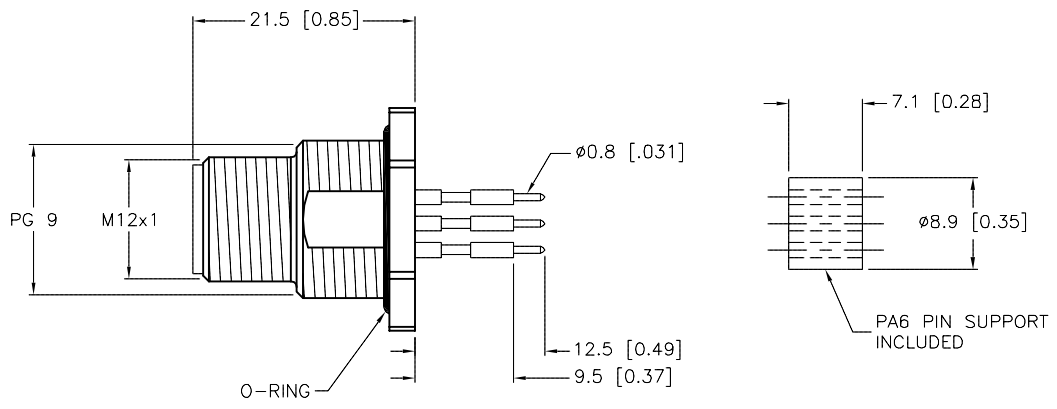
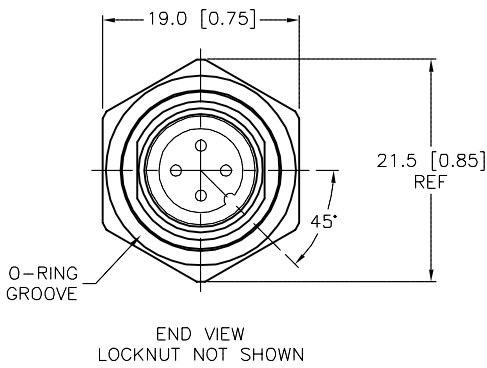
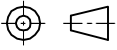


MALE END VIEW	TYPICAL PANEL CUTOUT	BOARD LAYOUT 2:1	SPECIFICATIONS																	
			<table border="1"> <tr><td>CONTACT CARRIER MATERIAL</td><td>NYLON OR TPU</td></tr> <tr><td>CONTACT MATERIAL/PLATING</td><td>BRASS/GOLD</td></tr> <tr><td>HOUSING/LOCKNUT MATERIAL/PLATING</td><td>BRASS/NICKEL</td></tr> <tr><td>RATED CURRENT [A]</td><td>4.0 A</td></tr> <tr><td>RATED VOLTAGE [V]</td><td>250 V</td></tr> <tr><td>NUMBER OF CONDUCTORS [AWG]</td><td>PRINTED CIRCUIT PINS</td></tr> <tr><td>TEMPERATURE RATING</td><td>-30°C to +80°C (-22°F to +176°F)</td></tr> <tr><td>PROTECTION CLASS</td><td>MEETS NEMA 1,3,4,6P AND IEC IP68</td></tr> </table>	CONTACT CARRIER MATERIAL	NYLON OR TPU	CONTACT MATERIAL/PLATING	BRASS/GOLD	HOUSING/LOCKNUT MATERIAL/PLATING	BRASS/NICKEL	RATED CURRENT [A]	4.0 A	RATED VOLTAGE [V]	250 V	NUMBER OF CONDUCTORS [AWG]	PRINTED CIRCUIT PINS	TEMPERATURE RATING	-30°C to +80°C (-22°F to +176°F)	PROTECTION CLASS	MEETS NEMA 1,3,4,6P AND IEC IP68	
CONTACT CARRIER MATERIAL	NYLON OR TPU																			
CONTACT MATERIAL/PLATING	BRASS/GOLD																			
HOUSING/LOCKNUT MATERIAL/PLATING	BRASS/NICKEL																			
RATED CURRENT [A]	4.0 A																			
RATED VOLTAGE [V]	250 V																			
NUMBER OF CONDUCTORS [AWG]	PRINTED CIRCUIT PINS																			
TEMPERATURE RATING	-30°C to +80°C (-22°F to +176°F)																			
PROTECTION CLASS	MEETS NEMA 1,3,4,6P AND IEC IP68																			



SOURCE DRAWING - FOR REFERENCE ONLY

NOTES:
 1. "/CS10085" DESIGNATES RECEPTACLE, BULK PACK PER ORDER RELEASE, NO LOCKNUT, NO FLAG LABEL, WITH BAG LABEL.

RELATED DOCUMENTS 1. 2. 3. 4.	3RD ANGLE PROJECTION 	THIS DRAWING IS CONFIDENTIAL AND THE PROPERTY OF TURCK INC. USE OF THIS DOCUMENT WITHOUT WRITTEN PERMISSION IS PROHIBITED.	<div style="text-align: right;"> 3000 CAMPUS DRIVE MINNEAPOLIS, MN 55441 1-800-544-7769 (763) 553-7300 (763) 553-0708 fax turck.com </div> <div style="text-align: center;"> TURCK INC <i>High Technology Sensors and Automation Controls</i> </div>	
MATERIAL SEE SPECIFICATIONS	ALL DIMENSIONS DISPLAYED ON THIS DRAWING ARE FOR REFERENCE ONLY	DRFT RWC DSGN DATE 12/28/09 SCALE 1=.8	DESCRIPTION FSFD 4.4/CS10085	
FINISH SEE SPECIFICATIONS	CONTACT TURCK FOR MORE INFORMATION	UNIT OF MEASUREMENT MILLIMETER [INCH]		IDENTIFICATION NO. U0969-79 REV C
C DRAWING PROCESSED AS PART OF ECO 33971	CBM 04/07/11 33971	DO NOT SCALE THIS DRAWING		
REV DESCRIPTION	BY DATE ECO NO.	FILE: U0969-79 SHEET 1 OF 1		